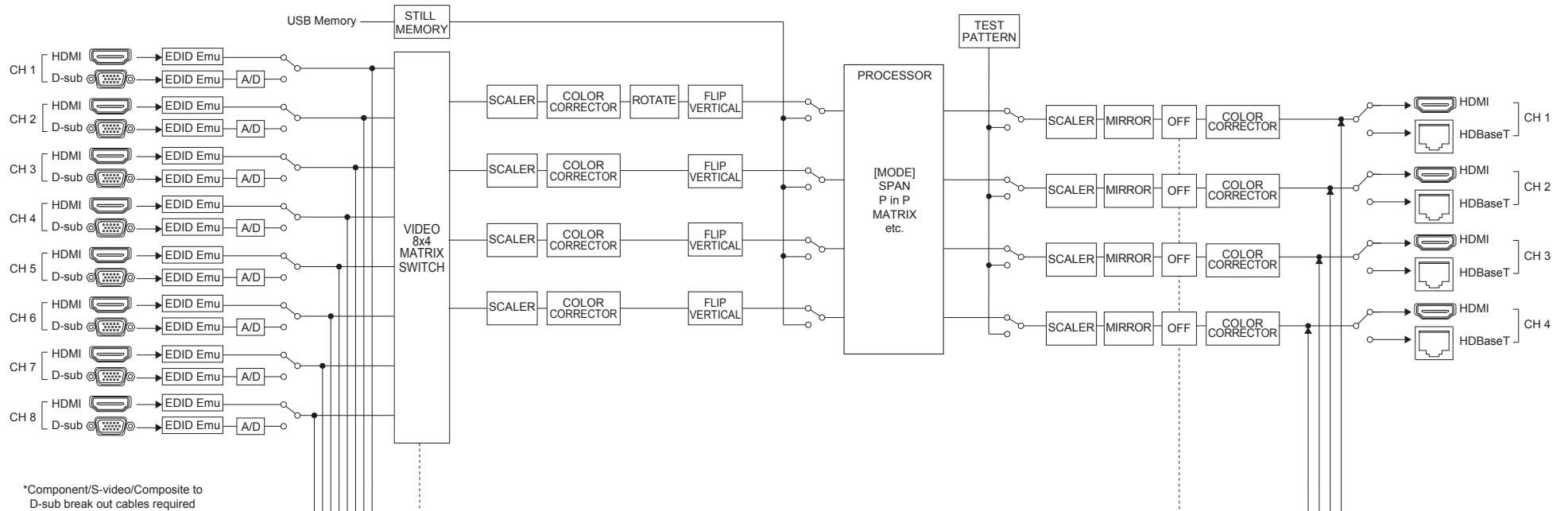


## Block Diagram

### Video Block



\*Component/S-video/Composite to D-sub break out cables required

### Audio Block

